

FEATURES:

- Eliminates need for separate emergency circuit and generator when using metal halide lamping.
- ED17 Lamps (Medium base), and Twist-lok compact fluorescent emergency lamps.
- Low irridescence Alzak reflector, white flange.
- 18 Gauge galvanized architectural frame.
- Adjustable mounting ears.
- 27" Mounting bars or T-bar clips available.
- Electronic metal halide ballast up to 100 watts-120/277.
- **Emergency pack ballast choice:**850 lumens or 1050 lumens.
- **Test switch choice- remote (standard) or in reflector.**
- Junction box pre-wired, grounded.
- Damp location listed.
- Manufactured and tested to UL standard No. 1598. ETL Listed.

EMERGENCY OPTIONS::

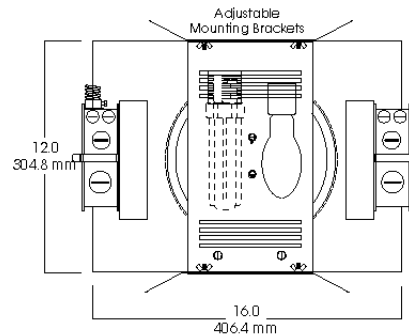
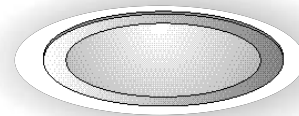
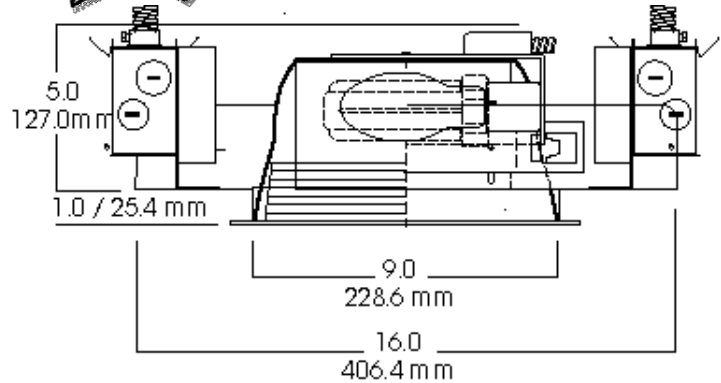
- EM84-** 850 lumens.
- EM94-** 1050 lumens.
- EM84IT-** Test switch
EM84 integral
- EM94IT-** Test switch
EM94 integral

OPTIONS:

- EX-** Electronic ballast, up to 100 watts.
- FS-** Fusing.
- GL-** Clear Tempered Lens.
- BH27-** 27" Mounting bars.
- TBC-** Clips for T-Bar installation (4).
- GS-** Gasket for use with reflector at ceiling level.

Dimensions shown are nominal. Spectrum Lighting is continually improving products and reserves the right to make changes that will not alter performance or appearance.

**9" HID-MH SERIES
COMPACT FLUORESCENT
EMERGENCY LIGHTING**



SERIES	LAMP TYPE	WATTS	BALLAST	EMERGENCY	OPTIONS	REFLECTOR
SGH9MH/CF						
SGH9MH/CF-Spectrum Gold	ED17 (Open Rated Only)	35/39/50 70/100	E1- 120 E2- 277	EM84- 850 lumens. EM94- 1050 lumens. EM84IT- Test switch EM84 integral EM94IT- Test switch EM94 integral	FS- Fusing GL- Clear Glass Lens BH27- 27" Mounting Bars TBC- T-Bar Clips (4) GS- Gasket	AR9410CL - Clear Alzak AR9410WE - Wheat Alzak AR9410GO - Gold Alzak AR9410UM - Umber Alzak AR9410BR - Bright Brass AR9410PW - Pewter Alzak AR9410BL - Black Alzak AR9410WH - Painted White AR9410SG - Soft Glow Finish PF- Polished Flange BB - Black Micro Baffle WB - White Micro Baffle
9" Downlight Metal Halide fluorescent emergency	TWIST-LOK Triple Tube	26/32/42				

EXAMPLE: SGH9MHCFED17100/32PLTE1EM84/AR9410CL: 9" Aperture downlight, 100 watt metal halide, ED17, 120 Volt. 32 watt triple tube on 850 lumen emergency ballast. Test switch mounted remote

