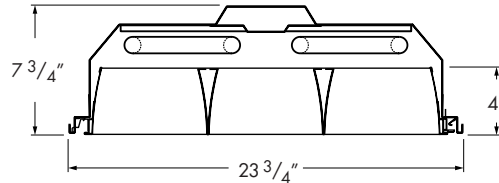
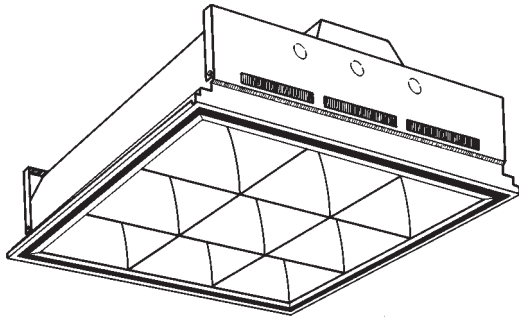


2' X 2' 9 CELL PARABOLIC, 4" LOUVER

SERIES **U4**

VOLTAGE TYPE JOB _____



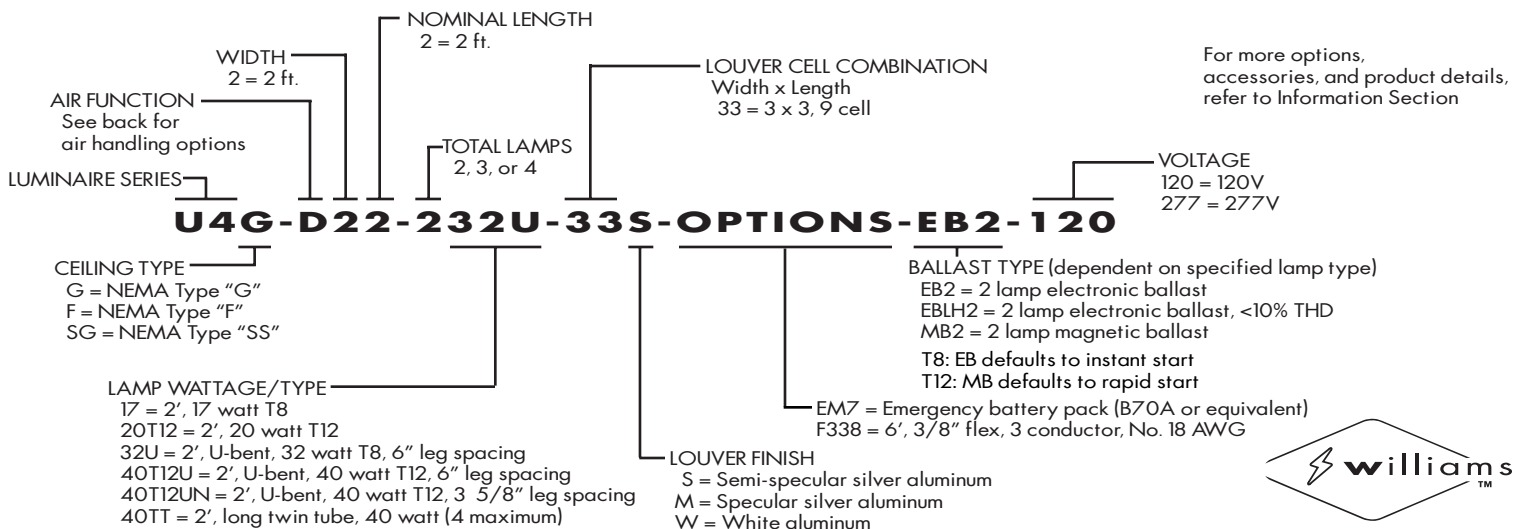
SPECIFICATIONS

- HOUSING – 22 Ga. die formed C.R.S.
- PARABOLIC LOUVER – semi-specular, low iridescent, anodized aluminum standard with tab-and-slot construction
- DOOR FRAME – fully enclosed, spring-loaded cam latches and T-type hinges. Concealed 22 Ga. C.R.S. frame riveted to louver
- FINISH – white powder coating with 5 stage iron/phosphate prepared metal. 92% minimum average reflectance
- ELECTRICAL – electronic ballast standard (where available), rated Class P
- LABELS – UL listed as recessed fluorescent fixture suitable for dry or damp locations
- MOUNTING – NEMA Type "G" standard. NEMA Type "F" and "SS" available

FEATURES

- Standard louver construction of semi-specular, low iridescent, anodized aluminum ensures superior, enduring performance
- Full 4" parabolic louver assists in glare reduction
- Fully enclosed, spring-loaded cam latches allow years of hassle-free maintenance
- T-slot steel hinge allows reversible hinging and latching
- T-slot steel hinge ensures positive retention when door is opened
- Field convertible to NEMA Type "F"
- Ballast secured by 2 captive bolts and nuts to ensure a tight, reliable fit for maximum heat dissipation and minimal ballast noise
- All parts painted after fabrication to facilitate installation, increase efficiency, and inhibit rusting

SUBMITTAL INFORMATION

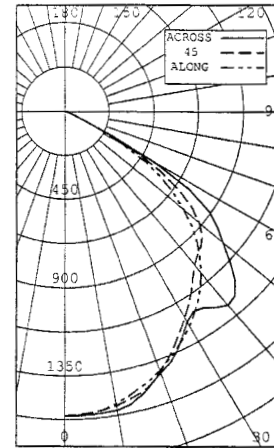


Williams Catalog # U4G-D22-232U-33S-EB2
Test Report #14678, Dated 6/12/00

Lamp Type: FB32T8/6
Lamp Quantity: 2

CANDLEPOWER DISTRIBUTION

VERT. ANG.	HORIZONTAL ANGLE			ZONAL LUMENS
	0	45	90	
0	1555.	1555.	1555.	
5	1551.	1545.	1556.	149
15	1463.	1488.	1501.	416
25	1335.	1313.	1344.	610
35	1175.	1114.	1219.	724
45	943.	971.	1216.	777
55	595.	700.	890.	606
65	115.	125.	113.	162
75	31.	22.	11.	26
85	14.	10.	0.	9
90	0.	0.	0.	



NEMA TYPE "F" INSTALLATION

Overall trim dimensions: 25 5/16" x 25 5/16"
Recommended ceiling opening: 24 3/8" x 24 3/8"
Swing-out bracket vertical adjust: 1 1/4" minimum
to 4 3/8" maximum

NEMA TYPE "SS" 9/16" WIDE SLOT GRID INSTALLATION

Bottom of louver is 5/16" below bottom of fixture housing and is flush with the ceiling plane

LUMEN SUMMARY

ZONE	LUMENS	% LAMP	% FIXTURE
0 - 30	1176.	22.19	33.79
0 - 40	1899.	35.85	54.60
0 - 60	3282.	61.94	94.33
0 - 90	3480.	65.66	100.0
40 - 90	1580.	29.81	45.40
60 - 90	197.	3.72	5.67
90 - 180	0.	.00	.00
0 - 180	3480.	65.66	100.00

ZONAL CAVITY COEFFICIENTS

EFFECTIVE FLOOR CAVITY REFL. = .20

CEILING WALL RCR	.80			.70			.50		
	.70	.50	.30	.70	.50	.30	.50	.30	.10
0	.78	.78	.78	.76	.76	.76	.73	.73	.73
1	.73	.71	.69	.72	.70	.68	.67	.65	.64
2	.68	.64	.61	.67	.63	.60	.61	.58	.56
3	.63	.58	.54	.62	.57	.53	.55	.52	.49
4	.59	.52	.47	.57	.51	.47	.50	.46	.43
5	.54	.47	.42	.53	.46	.41	.45	.41	.37
6	.50	.42	.37	.49	.42	.37	.40	.36	.33
7	.46	.38	.33	.45	.37	.33	.36	.32	.29
8	.42	.34	.29	.41	.33	.29	.33	.28	.25
9	.39	.31	.25	.38	.30	.25	.29	.25	.22
10	.36	.28	.23	.35	.27	.23	.27	.22	.19

AVERAGE LUMINANCE - CD./SQ.M.

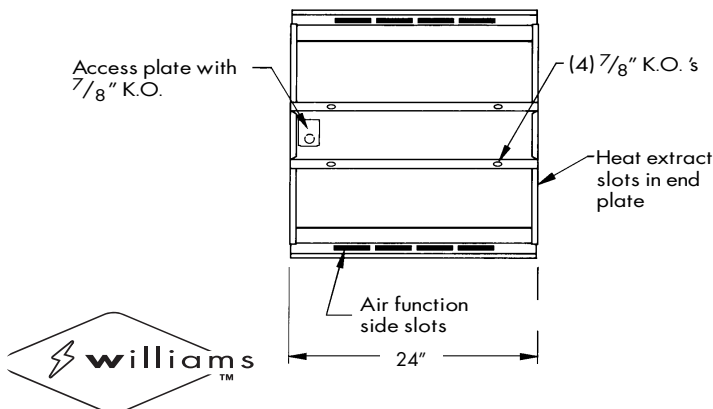
VERTICAL ANGLE	ALONG	45°	ACROSS
45	4579.	4731.	592.
55	3562.	4203.	5346.
65	934.	1014.	921.
75	414.	287.	144.
85	534.	393.	0.

TOTAL LUMINAIRE

OPTICAL EFFICIENCY = 65.7 %

SPACING CRITERIA: ACROSS=1.2 ALONG=1.2

BACK VIEW



AIR FUNCTION CODE

- "D" style static fixtures are UL listed as recessed fluorescent fixture suitable for dry or damp locations
- All air handling styles are UL listed as recessed fluorescent fixture suitable for air handling use, for dry locations only
- Select air function required from table below. If function other than style "D" is required, change letter prefix to required function. (Example: If unit with supply/return air through side slots with adjustable air pattern control vane and non-adjustable heat extract through lamp cavity required, change "D" to "X" = U4G-X22-232U-33S)

AIR FUNCTIONS	SUPPLY/RETURN AIR THROUGH SIDE SLOTS WITH ADJUSTABLE AIR PATTERN CONTROL VANE	SUPPLY/RETURN AIR THROUGH SIDE SLOTS WITHOUT CONTROL VANE	NO SIDE SLOTS
NON-ADJUSTABLE HEAT EXTRACT THROUGH LAMP CAVITY	X	F	G
NO HEAT EXTRACT THROUGH LAMP CAVITY	Z	E	D (STATIC)

Note: All of the above styles have full floating louver effect with black reveal around the entire perimeter of the louver

