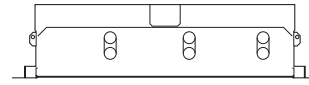
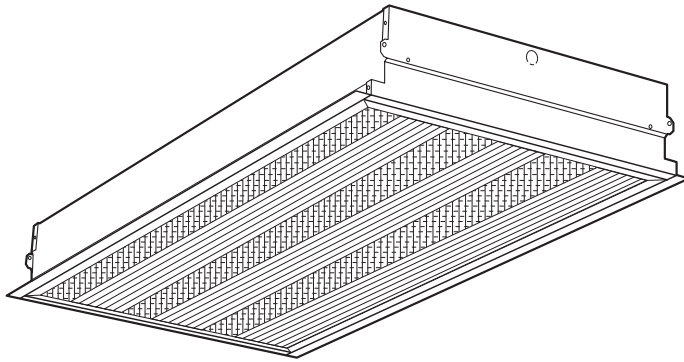
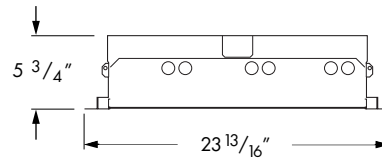


2' x 2' & 2' x 4' MEDICAL SURGICAL TROFFER

SERIES **MDS**
 VOLTAGE TYPE JOB _____



Twin Tube



T8

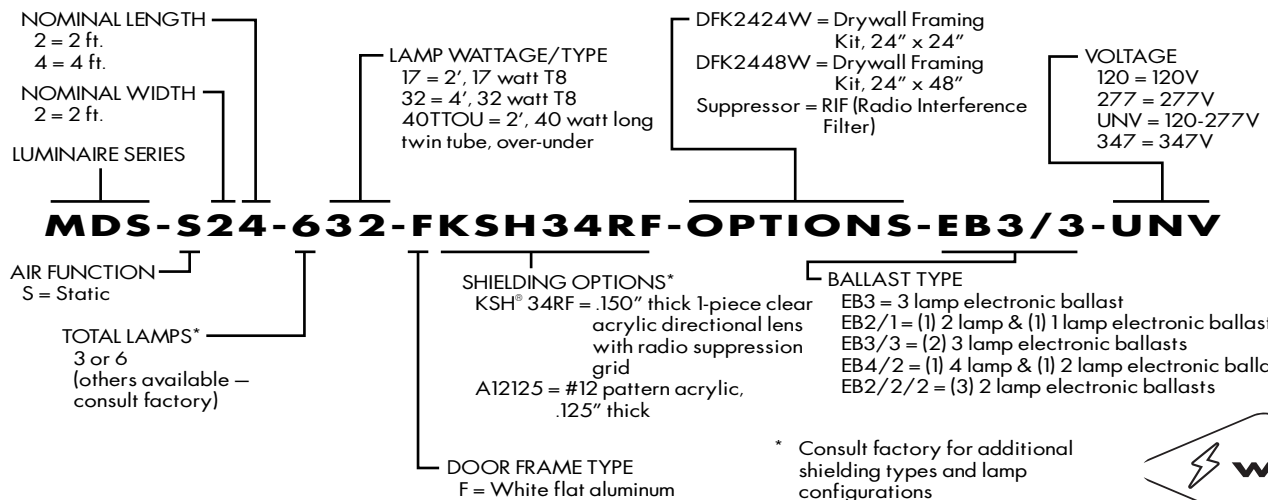
SPECIFICATIONS

- HOUSING – 20 Ga. die formed C.R.S.
- DOOR FRAME – .050" thick flat, extruded aluminum with mitered corners. Fully enclosed, spring-loaded cam latches and T-type hinges
- SHIELDING – .150" nominal thick KSH® 34RF one-piece clear acrylic directional lens with radio suppression grid. Other shielding available – consult factory
- FINISH – non-glare white polyester powder coated exterior textured finish with 5-stage iron/phosphate prepared metal
- ELECTRICAL – electronic ballast standard, rated class P
- LABELS – UL listed to U.S. and Canadian safety standards as recessed fluorescent luminaire suitable for dry or damp locations
- MOUNTING – NEMA Type "G" standard. For flange installations use the Drywall Framing Kit (DFK), sold separately

FEATURES

- Designed exclusively for hospitals and medical facilities utilizing 1", 1 1/2", and 2" face T-bars
- Provides auxiliary operating table illumination from perimeter of surgery area
- Reduces intense contrast between surgery and work area lighting
- Supplies uniform ambient illumination for the remainder of the surgery room
- Optional triple gasket to protect against contaminants
- Accepts many different shielding types and lamp configurations – can be used as a standard troffer when a 1 1/2" or 2" face T-bar ceiling system is specified
- All parts painted after fabrication to facilitate installation, increase efficiency, and inhibit rusting

SUBMITTAL INFORMATION

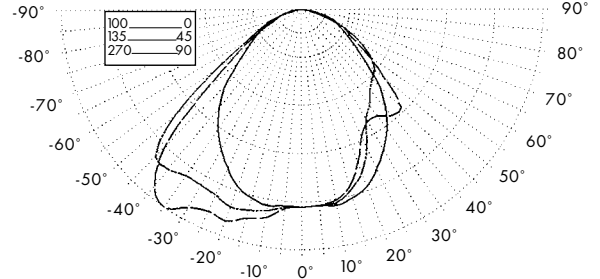


Williams Catalog #MDS-S24-632-FKSH34RF
 Test Report #12645.0, Dated 03/31/05

Lamp Type: F32T8/835
 Lamp Quantity: 6

CANDLEPOWER DISTRIBUTION

VERT. ANG.	HORIZONTAL ANGLE					LUMENS
	0	45	90	135	180	
0	5242.	5242.	5242.	5242.	5242.	499.6
5	5292.	5261.	5215.	5204.	5200.	1478.4
15	5720.	5491.	5162.	4948.	4856.	2181.5
25	5888.	5422.	4661.	4035.	3733.	2714.0
35	6377.	5353.	3905.	3106.	3473.	3040.5
45	5135.	5483.	2896.	2617.	3702.	2078.0
55	2178.	2800.	1704.	2227.	2155.	1216.9
65	970.	1165.	1123.	1348.	1280.	607.8
75	527.	496.	470.	661.	714.	166.4
85	171.	156.	87.	168.	194.	
90	0.	0.	0.	0.	0.	



LUMEN SUMMARY

ZONE	LUMENS	% LAMP	% FIXTURE
0 - 30	4159.	23.5	29.7
0 - 40	6873.	38.8	49.2
0 - 60	11992.	67.8	85.8
0 - 90	13983.	79.0	100.0
90 - 120	0.	0.0	0.0
90 - 130	0.	0.0	0.0
90 - 150	0.	0.0	0.0
90 - 180	0.	0.0	0.0
0 - 180	13983.	79.0	100.0

ZONAL CAVITY COEFFICIENTS

EFFECTIVE FLOOR CAVITY REFL. = .20

CEILING	.80			.70			.50			
	WALL	.70	.50	.30	.70	.50	.30	.50	.30	.10
0	.94	.94	.94	.92	.92	.92	.88	.88	.88	
1	.87	.84	.81	.85	.82	.80	.79	.77	.75	
2	.81	.75	.70	.79	.74	.69	.71	.67	.64	
3	.74	.67	.61	.73	.66	.61	.64	.59	.55	
4	.68	.60	.54	.67	.59	.53	.57	.52	.48	
5	.63	.53	.47	.61	.53	.46	.51	.45	.41	
6	.58	.48	.41	.56	.47	.41	.46	.40	.36	
7	.53	.43	.36	.52	.42	.36	.41	.36	.31	
8	.49	.39	.32	.48	.38	.32	.37	.31	.27	
9	.45	.34	.28	.44	.34	.28	.33	.27	.23	
10	.42	.31	.25	.41	.31	.25	.30	.24	.21	

TOTAL LUMINAIRE

OPTICAL EFFICIENCY = 79.0%

SPACING CRITERIA: END = 1.2 DIAG. = 0.6 ACROSS = 0.4

BACK VIEW

