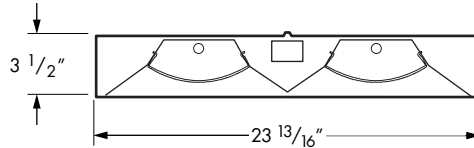
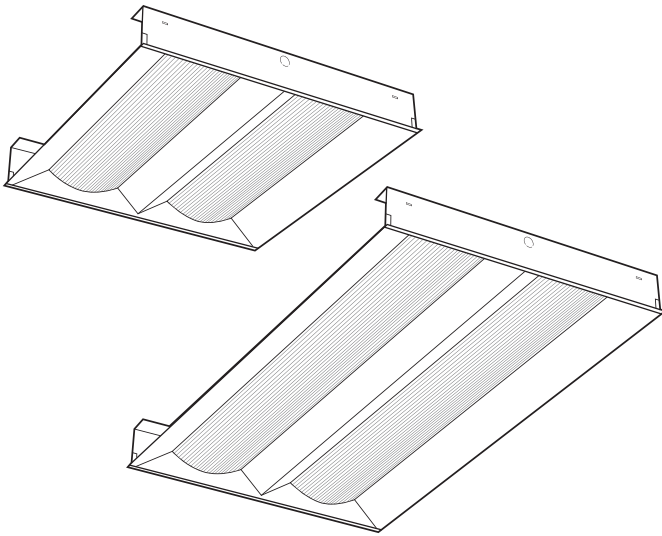


HIGH EFFICIENCY T5 TROFFER

SERIES **HET**
2x2 & 2x4
T5

JOB _____
TYPE _____
VOLTAGE _____



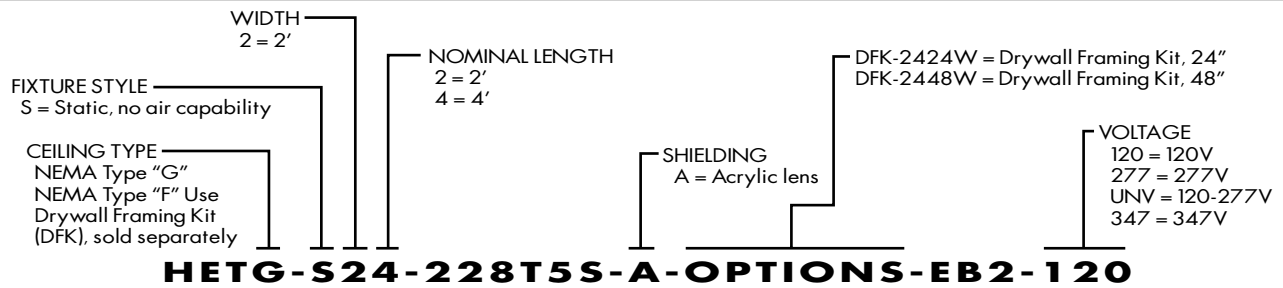
SPECIFICATIONS

- HOUSING – 22 Ga. die formed C.R.S.
- SHIELDING – Ribbed acrylic diffuser
- FINISH – Highly reflective matte white powder coat
- ELECTRICAL – Electronic ballast standard, programmed start T5, rated Class P
- LABELS – UL listed to U.S. and Canadian safety standards as recessed fluorescent luminaire suitable for dry or damp locations
- MOUNTING – NEMA Type "G" standard. For flange installations use the Drywall Framing Kit (DFK), sold separately

FEATURES

- Attractive and energy efficient architectural fixture that delivers comfortable, uniform lighting
- Frosted acrylic diffusers combined with highly reflective matte white paint provide high optical efficiencies while providing visual comfort
- Shallow fixture depth of 3 1/2" allows for use in limited plenum applications
- Tool-less access to the electrical from the room-side of the fixture
- Integral T-bar clips quickly secure fixture to structure
- All parts painted after fabrication to facilitate installation, increase efficiency, and inhibit rusting

SUBMITTAL INFORMATION



LUMINAIRE SERIES

TOTAL LAMPS
2

LAMP WATTAGE/TYPE
14T5S = 2', 14 watt T5
24T5H = 2', 24 watt T5HO
28T5S = 4', 28 watt T5
54T5H = 4', 54 watt T5HO

BALLAST TYPE
EB2(95) = 2 lamp electronic ballast, .95 ballast factor (2x4, T5S only)
EBSD2(95) = 2 lamp electronic ballast, .95 ballast factor, step-dimming (2x4, T5S only)
EB2(115) = 2 lamp electronic ballast, 1.15 ballast factor (2x4, T5S only)
EBSD2(115) = 2 lamp electronic ballast, 1.15 ballast factor, step-dimming (2x4, T5S only)
EB2 = 2 lamp electronic ballast, 1.0 ballast factor

For more options, accessories, and product details, refer to Information Section

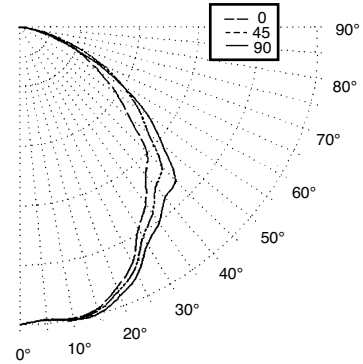


Williams Catalog #HETG-S24-228T5S-A
Test Report #13351.0, Dated 12/12/06

Lamp Type: FP28T5/835
Lamp Quantity: 2

CANDLEPOWER DISTRIBUTION

VERT. ANG.	HORIZONTAL ANGLE			ZONAL LUMENS
	0	45	90	
0	1958.	1958.	1958.	
5	1933.	1934.	1935.	184.6
15	1925.	1940.	1957.	549.6
25	1728.	1769.	1812.	818.7
35	1431.	1510.	1583.	947.2
45	1177.	1317.	1439.	1016.1
55	778.	951.	1030.	833.2
65	471.	607.	534.	546.8
75	222.	239.	172.	236.7
85	47.	31.	27.	38.5
90	0.	0.	0.	



LUMEN SUMMARY

ZONE	LUMENS	% LAMP	% FIXTURE
0 - 30	1553.	26.8	30.0
0 - 40	2500.	43.1	48.3
0 - 60	4350.	75.0	84.1
0 - 90	5172.	89.2	100.0
90 - 120	0.	0.	0.
90 - 130	0.	0.	0.
90 - 150	0.	0.	0.
90 - 180	0.	0.	0.
Total Luminaire			
0-180	5172.	89.2	100.0

ZONAL CAVITY COEFFICIENTS

EFFECTIVE FLOOR CAVITY REFL. = .20

CEILING	.80			.70			.50			
	WALL	.70	.50	.30	.70	.50	.30	.50	.30	.10
0	106	106	106	104	104	104	99	99	99	
1	.99	.95	.92	.96	.93	.90	.89	.87	.84	
2	.91	.84	.79	.89	.83	.78	.80	.76	.72	
3	.84	.75	.69	.82	.74	.68	.71	.66	.62	
4	.77	.67	.60	.75	.66	.59	.64	.58	.53	
5	.70	.60	.52	.69	.59	.52	.57	.51	.46	
6	.65	.53	.46	.63	.53	.45	.51	.45	.40	
7	.60	.48	.41	.58	.47	.40	.46	.40	.35	
8	.55	.43	.36	.54	.42	.35	.41	.35	.30	
9	.50	.39	.31	.49	.38	.31	.37	.31	.26	
10	.47	.35	.28	.46	.35	.28	.34	.27	.23	

TOTAL LUMINAIRE

OPTICAL **EFFICIENCY = 89.2 %**

SPACING CRITERIA: END=1.2 DIAG.=1.3 ACROSS = 1.3

BACK VIEW

