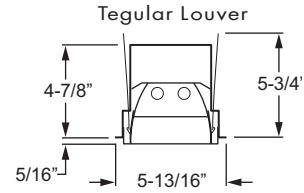
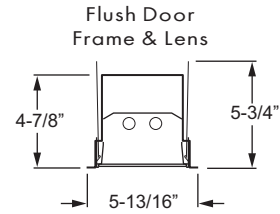
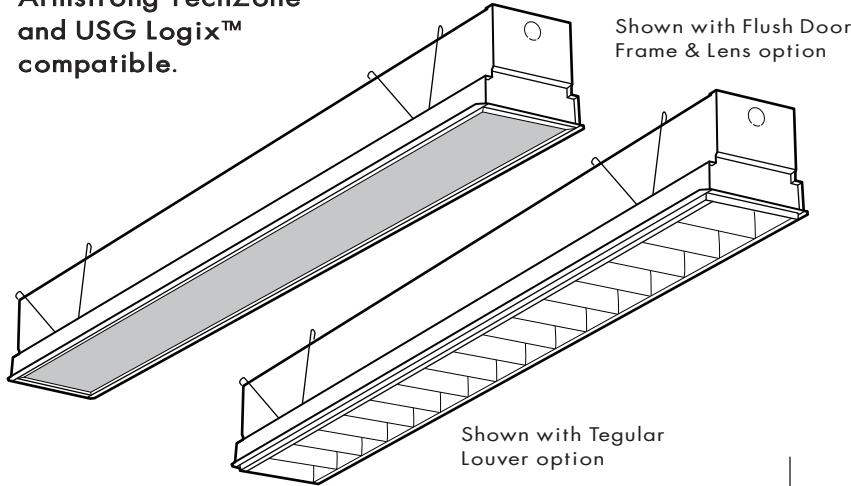


5' LINEAR LIGHT, 6" WIDE

SERIES **LL6**
5'
 VOLTAGE TYPE JOB _____

Armstrong TechZone™ and USG Logix™ compatible.



SPECIFICATIONS

- HOUSING – 22-gauge die-formed C.R.S.
- PARABOLIC LOUVER – Semi-specular, low-iridescent anodized aluminum standard, specular and white aluminum available.
- DOOR FRAME & LENS – Steel door frame with integral torsion springs to secure the frame within the fixture, #12 pattern acrylic lens.
- FINISH – 92% minimum average reflective white powder coat with multi-stage iron/phosphate prepared metal.
- ELECTRICAL – Electronic ballast standard, programmed start T5, rated Class P.
- LABELS – UL/CUL listed as fluorescent luminaire suitable for dry or damp locations.
- MOUNTING – NEMA Type “G”, accommodates “NFG” and “SS” without modification.

FEATURES

- Designed to deliver subtle area lighting with minimal glare for hallways, offices, and classrooms.
- Fixture is Armstrong TechZone™ and USG Logix™ ceiling systems compatible.
- Staggered offset 4' lamps minimize dark areas and provide cost effective lamp options.
- Quick-wire access plate in back of fixture housing for easy attachment of incoming power supply.
- All parts painted after fabrication to facilitate installation, increase efficiency, and inhibit corrosion.
- This fixture is proudly made in the USA.

ORDERING INFORMATION

Submittal

LOUVER EXAMPLE: **LL6** **G** - **5** - **2** **54T5H** - **T** **120** **S** - **EB2** - **UNV**

LENS EXAMPLE: **LL6** **G** - **5** - **2** **54T5H** - **S** **W** **F** / **A12125** - **EB2** - **UNV**

SERIES	LL6 Linear Light 6" Wide
CEILING TYPE	G NEMA Type "G"
NOMINAL LENGTH	5 5'
TOTAL LAMPS	2 (4' lamps staggered in fixture)
LAMP WATTAGE/TYPE	28T5S 4', 28-watt T5 54T5H 4', 54-watt T5HO

LOUVER OPTIONS:	
LOUVER LEVEL	F Flush T Tegular
LOUVER CELL COMBINATION (Width x Length)	120 1 x 20, 20-cell
LOUVER FINISH	M Specular silver aluminum S Semi-specular silver aluminum W White aluminum
FRAME AND LENS OPTIONS:	
FRAME TYPE	S Steel
FRAME COLOR	W White

FRAME LEVEL	F Flush T Tegular
FRAME LENS	A12125 #12 pattern acrylic, .125" thick A19156 #19 pattern acrylic, .156" thick
BALLAST TYPE	EB2 2-lamp electronic ballast
VOLTAGE	UNV 120 - 277V

Note: For more options/accessories, ballast combinations, and product details, please consult factory.



FLUORESCENT LIGHTING

LL6
5'

SERIES

PHOTOMETRY INFORMATION

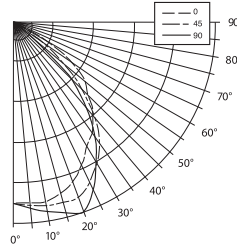
Williams Catalog #LL6G-5-254T5H-T120S
Test Report #14302.0, Dated 10/01/08

Lamp Type: FP54T5HO/835/C
Lamp Quantity: 2

Note: This test was done using amalgam lamps in a still air environment, at an ambient temperature of 25°C.

CANDLEPOWER DISTRIBUTION

VERT. ANG.	HORIZONTAL ANGLE			ZONAL LUMENS
	0	45	90	
0	3547.	3547.	3547.	
5	3558.	3608.	3668.	344.8
15	3475.	3660.	3870.	1038.2
25	3092.	3473.	3646.	1579.1
35	2646.	2908.	2754.	1761.6
45	2026.	1845.	1574.	1438.5
55	1370.	646.	182.	648.4
65	178.	108.	64.	117.1
75	35.	24.	22.	27.9
85	11.	11.	11.	12.0
90	0.	0.	0.	



LUMEN SUMMARY

ZONE	LUMENS	% LAMP	% FIXTURE
0 - 30	2962.	30.2	42.5
0 - 40	4724.	48.2	67.8
0 - 60	6811.	69.5	97.7
0 - 90	6968.	71.1	100.0
0 - 180	6968.	71.1	100.0

TOTAL LUMINAIRE OPTICAL EFFICIENCY = 71.1%

SPACING CRITERIA: END = 1.2 DIAG. = 1.3 ACROSS = 1.3

ZONAL CAVITY COEFFICIENTS

EFFECTIVE FLOOR CAVITY REFL. = .20

CEILING WALL RCR	.80			.70			.50		
	.70	.50	.30	.70	.50	.30	.50	.30	.10
0	85	85	85	83	83	83	.79	.79	.79
1	80	.78	.76	78	.76	.74	.73	.72	.70
2	75	.71	.68	74	.70	.67	.68	.65	.63
3	70	.65	.61	69	.64	.60	.62	.59	.56
4	66	.59	.55	64	.59	.54	.57	.53	.50
5	61	.54	.49	60	.53	.49	.52	.48	.45
6	57	.50	.44	56	.49	.44	.48	.43	.40
7	53	.45	.40	52	.45	.40	.44	.39	.36
8	49	.41	.36	48	.40	.35	.39	.35	.32
9	45	.37	.32	44	.36	.31	.36	.31	.28
10	42	.34	.28	41	.33	.28	.33	.28	.25

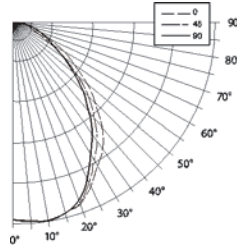
Williams Catalog #LL6G-5-254T5H-SWF/A12125
Test Report #14301.0, Dated 10/01/08

Lamp Type: FP54T5HO/835/C
Lamp Quantity: 2

Note: This test was done using amalgam lamps in a still air environment, at an ambient temperature of 25°C.

CANDLEPOWER DISTRIBUTION

VERT. ANG.	HORIZONTAL ANGLE			ZONAL LUMENS
	0	45	90	
0	3612.	3612.	3612.	
5	3647.	3657.	3653.	348.6
15	3612.	3612.	3595.	1022.4
25	3278.	3216.	3134.	1486.9
35	2801.	2613.	2470.	1646.0
45	2049.	1904.	1729.	1439.5
55	1318.	1081.	1058.	1022.8
65	702.	496.	590.	570.8
75	358.	298.	358.	342.0
85	134.	127.	135.	150.2
90	0.	0.	0.	



LUMEN SUMMARY

ZONE	LUMENS	% LAMP	% FIXTURE
0 - 30	2858.	29.2	35.6
0 - 40	4504.	46.0	56.1
0 - 60	6966.	71.1	86.8
0 - 90	8029.	81.9	100.0
0 - 180	8029.	81.9	100.0

TOTAL LUMINAIRE OPTICAL EFFICIENCY = 81.9%

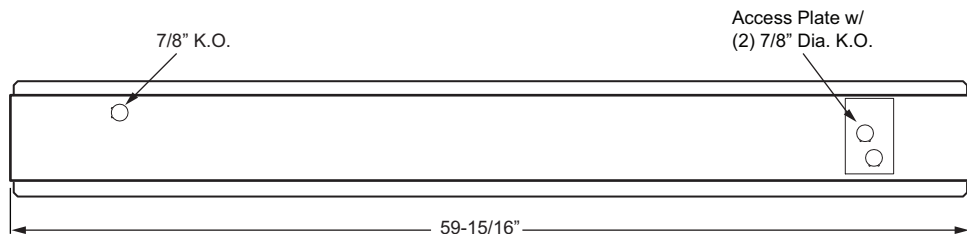
SPACING CRITERIA: END = 1.2 DIAG. = 1.2 ACROSS = 1.2

ZONAL CAVITY COEFFICIENTS

EFFECTIVE FLOOR CAVITY REFL. = .20

CEILING WALL RCR	.80			.70			.50		
	.70	.50	.30	.70	.50	.30	.50	.30	.10
0	98	98	98	95	95	95	.91	.91	.91
1	91	.87	.84	89	.86	.83	.82	.80	.78
2	84	.78	.74	82	.77	.72	.74	.70	.67
3	78	.71	.65	76	.69	.64	.67	.62	.59
4	72	.64	.57	70	.63	.57	.61	.56	.52
5	67	.57	.51	65	.56	.50	.55	.49	.45
6	62	.52	.45	60	.51	.45	.50	.44	.40
7	57	.47	.40	56	.46	.40	.45	.40	.35
8	53	.42	.36	52	.42	.36	.41	.35	.31
9	49	.38	.32	48	.38	.32	.37	.31	.27
10	45	.35	.29	44	.34	.29	.34	.28	.24

BACK VIEW



H.E. WILLIAMS, INC.

H.E. Williams, Inc. • Carthage, Missouri • www.hewilliams.com • 417-358-4065 • Fax: 417-358-6015

Information contained herein is subject to change without notice.

HEWJP60357 01/20/09JJ