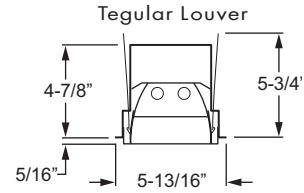
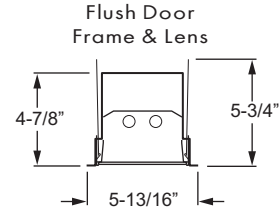
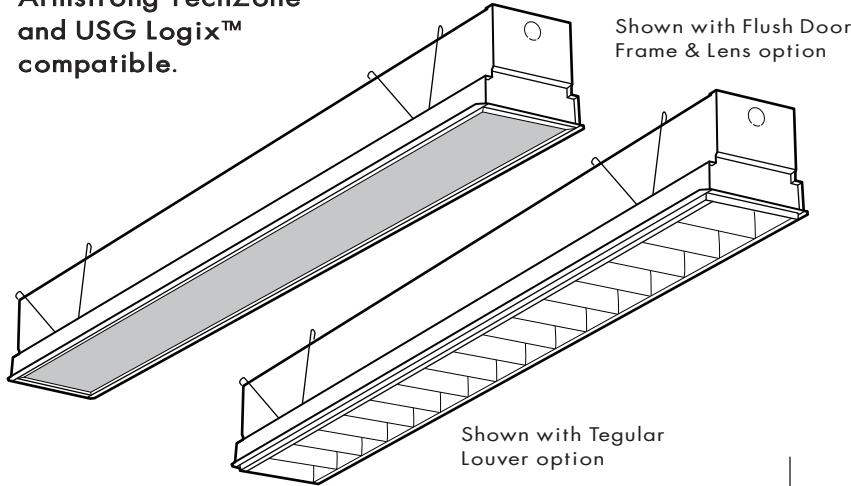


4' LINEAR LIGHT, 6" WIDE

SERIES **LL6**
4'

Armstrong TechZone™
and USG Logix™
compatible.



VOLTAGE TYPE JOB _____

SPECIFICATIONS

- HOUSING – 22-gauge die-formed C.R.S.
- PARABOLIC LOUVER – Semi-specular, low-iridescent anodized aluminum standard, specular and white aluminum available.
- DOOR FRAME & LENS – Steel door frame with integral torsion springs to secure the frame within the fixture, .125" thick frosted acrylic lens.
- FINISH – 92% minimum average reflective white powder coat with multi-stage iron/phosphate prepared metal.
- ELECTRICAL – Electronic ballast standard, programmed start T5, rated Class P.
- LABELS – UL/CUL listed as fluorescent luminaire suitable for dry or damp locations.
- MOUNTING – NEMA Type "G", accommodates "NFG" and "SS" without modification.

FEATURES

- Designed to deliver subtle area lighting with minimal glare for hallways, offices, and classrooms.
- When utilizing the Flush (F) frame level option with the frosted acrylic lens, the LL6 appears as an unobtrusive and simple line of light, a perfect complement to unique design applications.
- Fixture is Armstrong TechZone™ and USG Logix™ ceiling systems compatible.
- Quick-wire access plate in back of fixture housing for easy attachment of incoming power supply.
- All parts painted after fabrication to facilitate installation, increase efficiency, and inhibit corrosion.
- This fixture is proudly made in the USA.

ORDERING INFORMATION

Submittal

LOUVER EXAMPLE: **LL6** **G** - **4** - **2** **54T5H** - **T** **I16** **S** - **EB2** - **UNV**

LENS EXAMPLE: **LL6** **G** - **4** - **2** **54T5H** - **S** **W** **F** / **AF125** - **EB2** - **UNV**

SERIES	LL6	Linear Light 6" Wide
CEILING TYPE	G	NEMA Type "G"
NOMINAL LENGTH	4	4'
TOTAL LAMPS	1 or 2	
LAMP WATTAGE/TYPE	28T5S	4', 28-watt T5
	54T5H	4', 54-watt T5HO

LOUVER OPTIONS:	
LOUVER LEVEL	
F	Flush
T	Tegular

LOUVER CELL COMBINATION (Width x Length)	
I16	1 x 16, 16-cell

LOUVER FINISH	
M	Specular silver aluminum
S	Semi-specular silver aluminum
W	White aluminum

FRAME AND LENS OPTIONS:	
FRAME TYPE	
S	Steel

FRAME COLOR	
W	White

FRAME LEVEL	
F	Flush
T	Tegular

FRAME LENS	
AF125	Frosted acrylic, .125" thick
A12125	#12 pattern acrylic, .125" thick
A19156	#19 pattern acrylic, .156" thick

BALLAST TYPE	
EB1	1-lamp electronic ballast
EB2	2-lamp electronic ballast

VOLTAGE	
UNV	120 - 277V

Note: For more options/accessories, ballast combinations, and product details, please consult factory.



FLUORESCENT LIGHTING

LL6
4'

SERIES

PHOTOMETRY INFORMATION

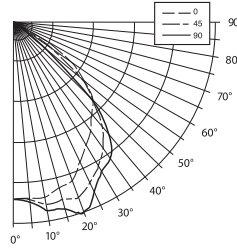
Williams Catalog #LL6G-4-254T5H-T116S
Test Report #14300.0, Dated 09/30/08

Lamp Type: FP54T5HO/835/C
Lamp Quantity: 2

Note: This test was done using amalgam lamps in a still air environment, at an ambient temperature of 25°C.

CANDLEPOWER DISTRIBUTION

VERT. ANG.	HORIZONTAL ANGLE			ZONAL LUMENS
	0	45	90	
0	3337.	3337.	3337.	
5	3333.	3366.	3401.	321.4
15	3232.	3472.	3639.	978.3
25	2915.	3332.	3558.	1523.5
35	2510.	2908.	3156.	1804.8
45	2093.	2070.	2078.	1596.6
55	1318.	823.	225.	731.1
65	152.	118.	74.	122.1
75	32.	25.	24.	28.8
85	9.	9.	9.	9.8
90	0.	0.	0.	



LUMEN SUMMARY

ZONE	LUMENS	% LAMP	% FIXTURE
0 - 30	2823.	28.8	39.7
0 - 40	4628.	47.2	65.0
0 - 60	6956.	71.0	97.7
0 - 90	7116.	72.6	100.0
0 - 180	7116.	72.6	100.0

TOTAL LUMINAIRE OPTICAL EFFICIENCY = 72.6%

SPACING CRITERIA: END = 1.2 DIAG. = 1.4 ACROSS = 1.4

ZONAL CAVITY COEFFICIENTS

EFFECTIVE FLOOR CAVITY REFL. = .20

CEILING WALL RCR	.80			.70			.50		
	.70	.50	.30	.70	.50	.30	.50	.30	.10
0	86	86	86	84	84	84	.81	.81	.81
1	82	.79	.77	80	.78	.76	.75	.73	.72
2	.77	.72	.69	.75	.71	.68	.69	.66	.64
3	.72	.66	.62	.70	.65	.61	.63	.60	.57
4	.67	.60	.55	.65	.59	.55	.58	.54	.51
5	.62	.55	.49	.61	.54	.49	.52	.48	.45
6	.58	.50	.44	.57	.49	.44	.48	.44	.40
7	.54	.45	.40	.52	.45	.40	.44	.39	.36
8	.49	.41	.35	.48	.40	.35	.39	.35	.31
9	.45	.37	.31	.44	.36	.31	.35	.31	.27
10	.42	.33	.28	.41	.33	.28	.32	.28	.24

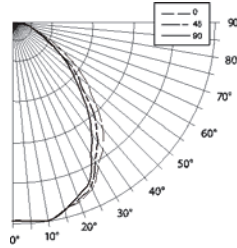
Williams Catalog #LL6G-4-254T5H-SWF/AF125
Test Report #14298.0, Dated 09/30/08

Lamp Type: FP54T5HO/835/C
Lamp Quantity: 2

Note: This test was done using amalgam lamps in a still air environment, at an ambient temperature of 25°C.

CANDLEPOWER DISTRIBUTION

VERT. ANG.	HORIZONTAL ANGLE			ZONAL LUMENS
	0	45	90	
0	3227.	3227.	3227.	
5	3233.	3229.	3222.	308.2
15	3088.	3074.	3055.	871.1
25	2818.	2778.	2737.	1285.3
35	2319.	2252.	2179.	1414.4
45	1782.	1806.	1666.	1365.7
55	1357.	1278.	1204.	1148.7
65	857.	797.	756.	796.0
75	415.	386.	361.	410.2
85	104.	98.	94.	107.2
90	0.	0.	0.	



LUMEN SUMMARY

ZONE	LUMENS	% LAMP	% FIXTURE
0 - 30	2465.	25.1	32.0
0 - 40	3879.	39.6	50.3
0 - 60	6393.	65.2	83.0
0 - 90	7707.	78.6	100.0
0 - 180	7707.	78.6	100.0

TOTAL LUMINAIRE OPTICAL EFFICIENCY = 78.6%

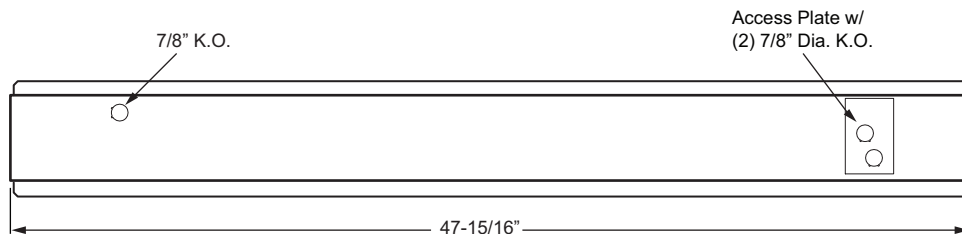
SPACING CRITERIA: END = 1.2 DIAG. = 1.2 ACROSS = 1.1

ZONAL CAVITY COEFFICIENTS

EFFECTIVE FLOOR CAVITY REFL. = .20

CEILING WALL RCR	.80			.70			.50		
	.70	.50	.30	.70	.50	.30	.50	.30	.10
0	94	94	94	91	91	91	.87	.87	.87
1	87	.83	.80	85	.82	.79	.78	.76	.74
2	80	.74	.69	78	.73	.68	.70	.66	.63
3	.74	.66	.60	.72	.65	.60	.63	.58	.54
4	.68	.59	.53	.66	.58	.52	.56	.51	.47
5	.62	.53	.46	.61	.52	.46	.50	.45	.41
6	.57	.48	.41	.56	.47	.41	.45	.40	.36
7	.53	.43	.36	.52	.42	.36	.41	.35	.31
8	.49	.39	.32	.48	.38	.32	.37	.31	.27
9	.45	.35	.28	.44	.34	.28	.33	.28	.24
10	.42	.32	.26	.41	.31	.25	.30	.25	.21

BACK VIEW



H. E. WILLIAMS, INC.

H.E. Williams, Inc. • Carthage, Missouri • www.hewilliams.com • 417-358-4065 • Fax: 417-358-6015

Information contained herein is subject to change without notice.

HEWJP60356 01/20/09JJ