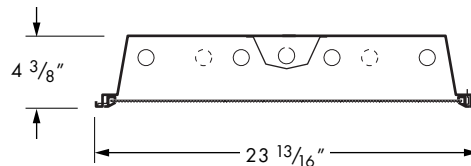
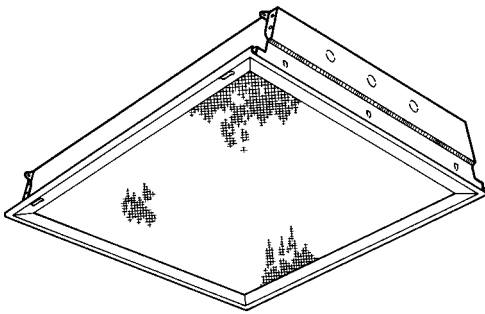


2' x 2' STATIC TROFFER

SERIES **50**
STATIC

JOB _____
TYPE _____
VOLTAGE _____



SPECIFICATIONS

- HOUSING – 22 gauge die formed C.R.S.
- DOOR FRAME – 20 gauge C.R.S. or .050" extruded aluminum, flat or regress, with mitered corners
- SHIELDING – #12 pattern, .125" acrylic overlay standard – other patterns and thicknesses available
- FINISH – 92% minimum average reflective white powder coat with multi-stage iron/phosphate prepared metal
- ELECTRICAL – Electronic ballast standard, either instant start or programmed start, rated Class P
- LABELS – UL listed to U.S. and Canadian safety standards as recessed fluorescent luminaire suitable for dry or damp locations
- MOUNTING – NEMA Type "G" standard. NEMA Type "F" available

FEATURES

- Fully enclosed, spring-loaded cam latches allow years of hassle-free maintenance
- T-slot steel hinge ensures positive retention when door is opened
- 4 3/8" deep housing eliminates lens shadowing
- Deep reinforcement ribs provide added strength
- Rolled-edge channel adds superior strength
- Integral T-bar clips quickly secure fixture to structure
- Field convertible to NEMA Type "F"
- Fully gasketed door minimizes contaminants
- All parts painted after fabrication to facilitate installation, increase efficiency, and inhibit rusting

ORDERING INFORMATION

Submittal

EXAMPLE: **50** **G** - **S** **2** **2** - **3** **17** - **S** **A12125** - **OPTIONS** - **EB3** - **120**

SERIES

50 Static Troffer (No air handling)

CEILING TYPE

G NEMA Type "G"
F NEMA Type "F" (field convertible)

FIXTURE STYLE

S Full door frame, no reveal

NOMINAL WIDTH

2 2'

NOMINAL LENGTH

2 2'

TOTAL LAMPS

2, 3, or 4

LAMP WATTAGE/TYPE

14T5S 2', 14 watt T5
17 2', 17 watt T8

LAMP WATTAGE/TYPE cont'd.

24T5H 2', 24 watt T5HO
31UN 2', U-bent, 31 watt T8,
1 5/8" leg spacing
32U 2', U-bent, 32 watt T8,
6" leg spacing
40TT 2', 40 watt long twin tube

DOOR FRAME TYPE

S White flat steel
F White flat aluminum
R White regress aluminum
SB Black flat steel
FB Black flat aluminum
RB Black regress aluminum

SHIELDING

A12125 #12 pattern acrylic, .125" thick
A19156 #19 pattern acrylic, .156" thick
PC1SS Nominal 1/2"x1/2"x1/2" silver polystyrene
PC2SS Nominal 1 1/2"x1 1/2"x1" silver polystyrene

OPTIONS

F338 6', 3/8" flex, 3 conductor, No. 18 AWG

BALLAST TYPE

EB2 2 lamp electronic ballast
EB3 3 lamp electronic ballast
EB4 4 lamp electronic ballast
EB2/2 (2) 2 lamp electronic ballasts

VOLTAGE

120 120V
277 277V
UNV 120 - 277V
347 347V

Note: For more options/accessories, ballast combinations, and product details, please consult factory



50

STATIC

SERIES

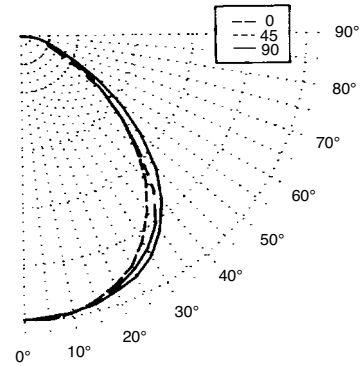
PHOTOMETRY INFORMATION

Williams Catalog #50G-S22-232U-SA12125-EB2-120
Test Report #8730.0, Dated 03/19/96

Lamp Type: FB032/835/6
Lamp Quantity: 2

CANDLEPOWER DISTRIBUTION

VERT. ANG.	HORIZONTAL ANGLE			ZONAL LUMENS
	0	45	90	
0	1921.	1921.	1921.	
5	1929.	1913.	1908.	182.9
15	1858.	1864.	1880.	529.4
25	1721.	1750.	1798.	812.0
35	1458.	1558.	1607.	971.3
45	1087.	1117.	1272.	886.6
55	674.	672.	815.	635.1
65	367.	285.	391.	319.9
75	194.	182.	192.	197.6
85	77.	86.	79.	89.7
90	0.	0.	0.	



LUMEN SUMMARY

ZONE	LUMENS	% LAMP	% FIXTURE
0 - 30	1524.	26.7	33.0
0 - 40	2496.	43.8	54.0
0 - 60	4017.	70.5	86.9
0 - 90	4624.	81.1	100.0
90 - 120	0.	0.	0.
90 - 130	0.	0.	0.
90 - 150	0.	0.	0.
90 - 180	0.	0.	0.
Total Luminaire			
0-180	4624.	81.1	100.0

ZONAL CAVITY COEFFICIENTS

EFFECTIVE FLOOR CAVITY REFL. = .20

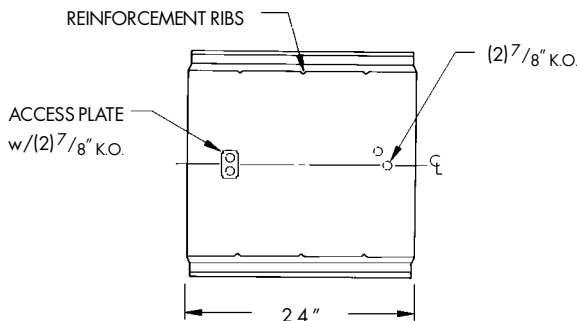
CEILING	.80			.70			.50			
	WALL RCR	.70	.50	.30	.70	.50	.30	.50	.30	.10
0		.97	.97	.97	.94	.94	.94	.90	.90	.90
1		.90	.86	.83	.88	.85	.82	.81	.79	.77
2		.83	.77	.73	.81	.76	.71	.73	.69	.66
3		.77	.69	.64	.75	.68	.63	.66	.61	.58
4		.71	.62	.56	.69	.61	.56	.59	.54	.50
5		.65	.56	.49	.64	.55	.49	.53	.48	.44
6		.60	.51	.44	.59	.50	.44	.48	.43	.39
7		.56	.46	.39	.55	.45	.39	.44	.38	.34
8		.52	.41	.35	.50	.41	.34	.39	.34	.30
9		.47	.37	.30	.46	.36	.30	.35	.30	.26
10		.44	.37	.27	.43	.33	.27	.32	.27	.23

TOTAL LUMINAIRE

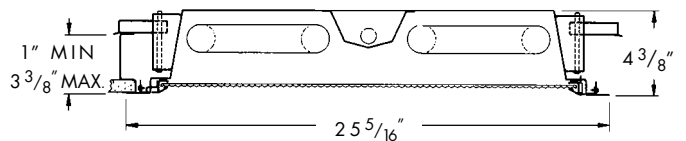
OPTICAL EFFICIENCY = 81.1 %

SPACING CRITERIA: ACROSS= 1.3 ALONG= 1.2

BACK VIEW



CROSS SECTION NEMA TYPE "F" INSTALLATION



MAXIMUM RECOMMENDED CEILING OPENING IS 24 3/8" X 24 3/8"

