

**85030.023 Graphit m**  
T3 100W 12V GY6.35 2350lm

**Product description**

Cylinder and mounting plate: corrosion-resistant, cast aluminum, No-rinse surface treatment. Double powder-coated.

Electronic transformer 120/12V, 60Hz. 1 cable entry. Through-wiring possible. 2-pole terminal block.

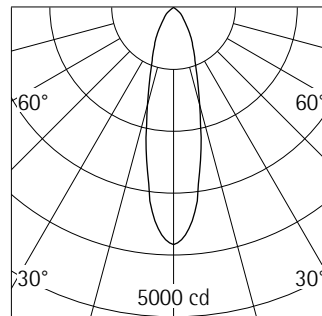
Low brightness reflector: aluminum, silver, specular anodized. Cut-off angle 30° from horizontal. Diffuser as lamp cover: glass, frosted.

Fixing ring with safety glass: corrosion-resistant cast aluminum, double powder-coated. To be removed together with low brightness reflector for lamp replacement. Tamper-proof screw.

Use dimmers for electronic transformers (trailing edge).

Suitable for wet location (IP65): dust-proof and water jet-proof.

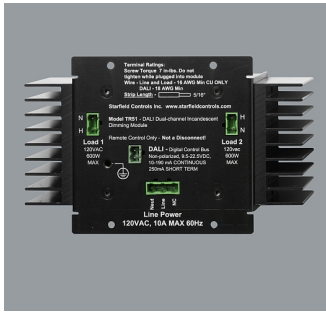
Weight 7.61lbs / 3.45kg



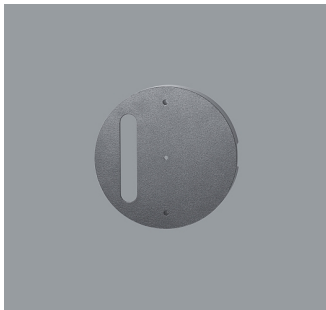
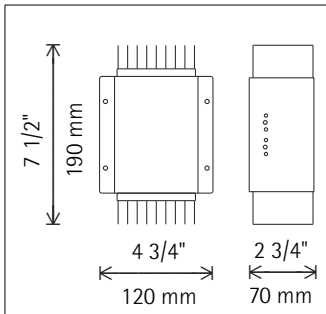
T3 100W 12V GY6.35 2350lm

h(ft)	E(fc)	D
		26°
3	426	1'5"
6	106	2'9"
9	47	4'2"
12	27	5'6"
15	17	6'11"

## Accessories



**83829.023**  
 DALI dimmer, double, 10A  
 2 load outputs 600W for dimming  
 for ohmic loads and electronic  
 transformers.  
 DALI interface with two independ-  
 ent addresses.  
 Mains connection 120V, 10A.  
 Housing: metal, black.  
 LED function indicator. Primary  
 fuse.  
 Weight 2.29lbs / 1.04kg



**34994.000**  
 Spacer  
 for surface-mounted cables.  
 Corrosion-resistant cast aluminum,  
 No-Rinse surface treatment.  
 Graphit m, double powder-coated.  
 Weight 0.62lbs / 0.28kg

